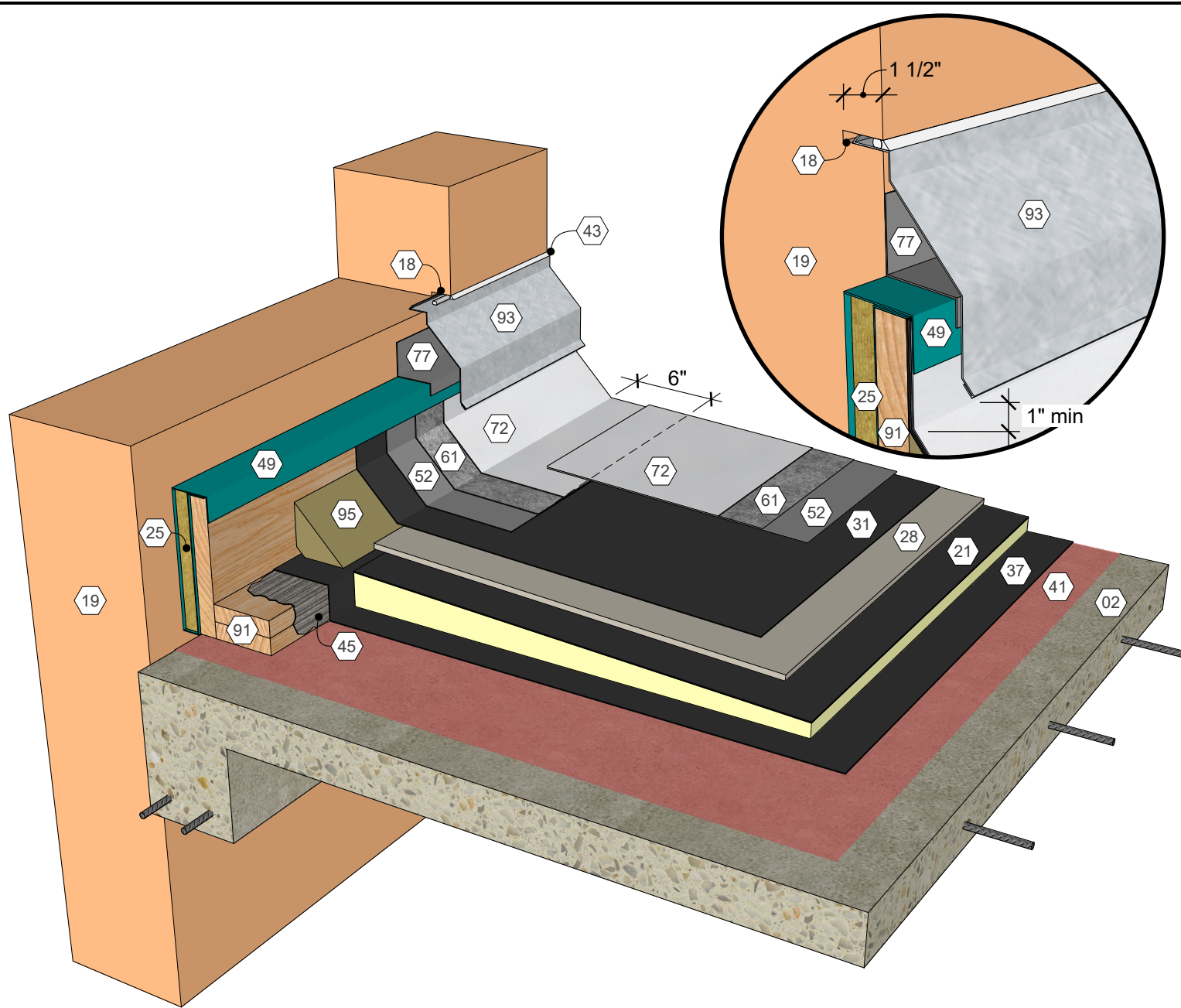


**KEY NOTES**

- 01 Metal Deck
- 09 Roof Structure
- 18 Reglet
- 19 Wall Assembly
- 22 Polyisocyanurate Insulation (Fastened or Adhered)
- 25 Compressible Insulation
- 27 Substrate Board (Fastened)
- 28 Cover Board (Adhered)
- 31 Approved Base Ply Sheet
- 37 Approved Base Sheet (Adhered)
- 43 Sealant and Backer Rod
- 45 Roofing Mastic
- 49 Flexible Vapor Retarder Serving as Insulation Retainer
- 52 AlphaGuard BIO Base Coat
- 61 AlphaGuard Glass Mat or Permafab
- 72 AlphaGuard BIO Top Coat
- 77 Membrane Sheet Closure Secured and Adhered to Wall
- 91 Wood Blocking
- 93 Counterflashing
- 95 Cant Strip

AlphaGuard® BIO Plus Parapet Wall, Non-Supported, Temp. Roof, Metal Deck  
 Detail 33061



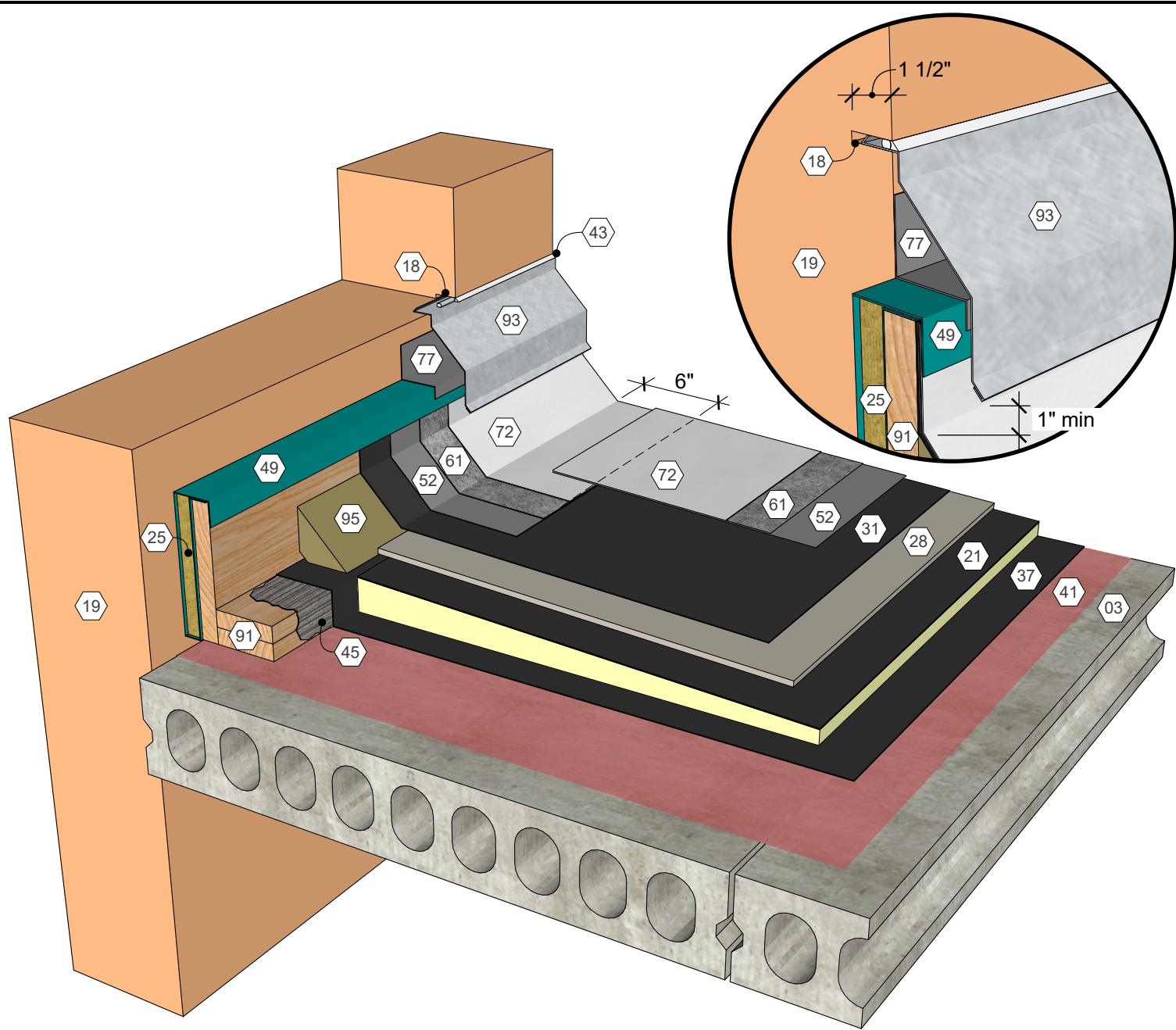


**KEY NOTES**

- 02 Structural Concrete Deck
- 18 Reglet
- 19 Wall Assembly
- 21 Polyisocyanurate Insulation (Adhered)
- 25 Compressible Insulation
- 28 Cover Board (Adhered)
- 31 Approved Base Ply Sheet
- 37 Approved Base Sheet (Adhered)
- 41 Approved Primer
- 43 Sealant and Backer Rod
- 45 Roofing Mastic
- 49 Flexible Vapor Retarder Serving as Insulation Retainer
- 52 AlphaGuard BIO Base Coat
- 61 AlphaGuard Glass Mat or Permafab
- 72 AlphaGuard BIO Top Coat
- 77 Membrane Sheet Closure Secured and Adhered to Wall
- 91 Wood Blocking
- 93 Counterflashing
- 95 Cant Strip

AlphaGuard® BIO Plus Parapet Wall, Non-Supported, Temp. Roof, Structural Concrete Deck  
Detail 33062



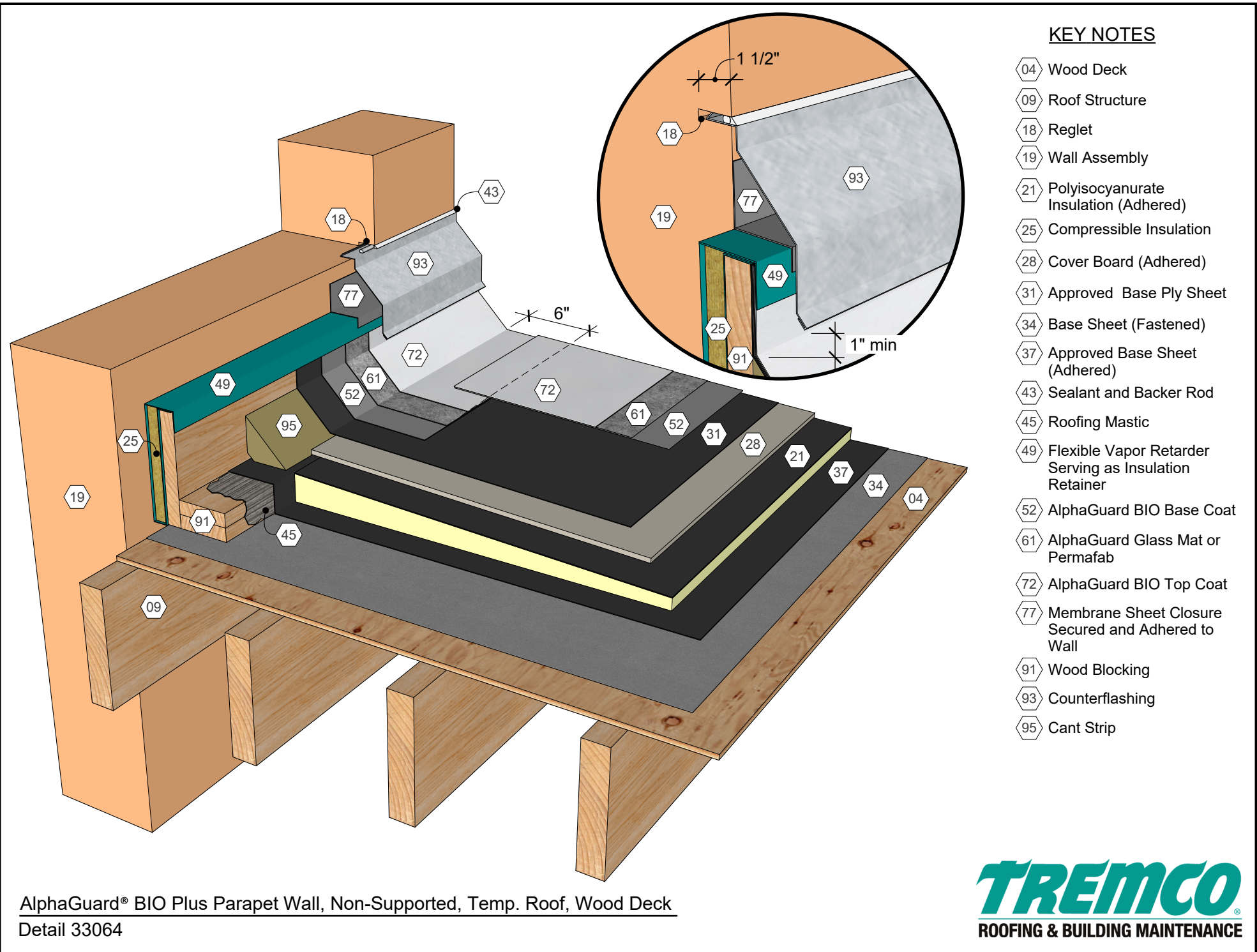


**KEY NOTES**

- 03 Precast Concrete Deck
- 18 Reglet
- 19 Wall Assembly
- 21 Polyisocyanurate Insulation (Adhered)
- 25 Compressible Insulation
- 28 Cover Board (Adhered)
- 31 Approved Base Ply Sheet
- 37 Approved Base Sheet (Adhered)
- 41 Approved Primer
- 45 Roofing Mastic
- 43 Sealant and Backer Rod
- 49 Flexible Vapor Retarder Serving as Insulation Retainer
- 52 AlphaGuard BIO Base Coat
- 61 AlphaGuard Glass Mat or Permafab
- 72 AlphaGuard BIO Top Coat
- 77 Membrane Sheet Closure Secured and Adhered to Wall
- 91 Wood Blocking
- 93 Counterflashing
- 95 Cant Strip

AlphaGuard® BIO Plus Parapet Wall, Non-Supported, Temp. Roof, Precast Concrete Deck  
Detail 33063



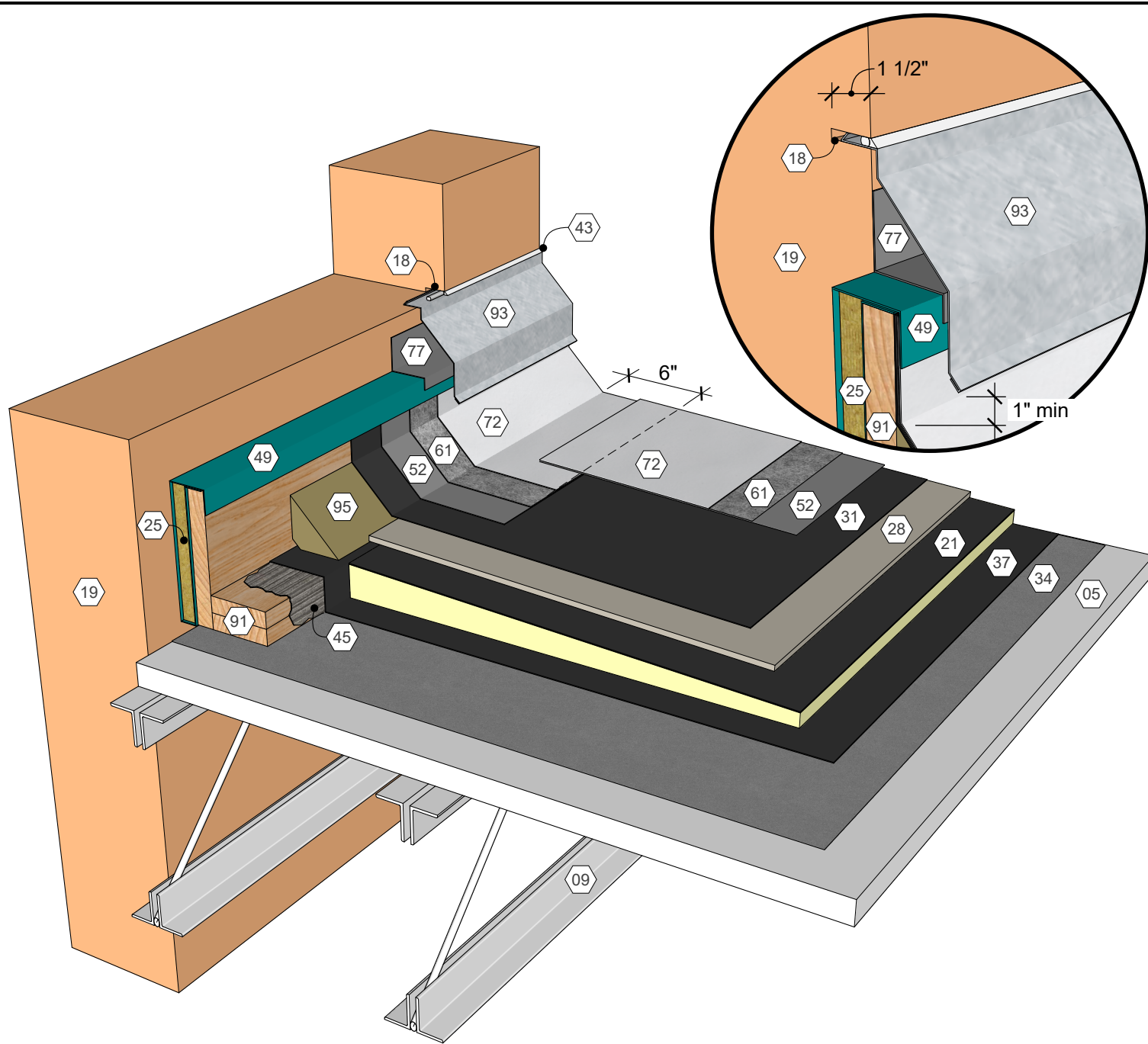


**KEY NOTES**

- 04 Wood Deck
- 09 Roof Structure
- 18 Reglet
- 19 Wall Assembly
- 21 Polyisocyanurate Insulation (Adhered)
- 25 Compressible Insulation
- 28 Cover Board (Adhered)
- 31 Approved Base Ply Sheet
- 34 Base Sheet (Fastened)
- 37 Approved Base Sheet (Adhered)
- 43 Sealant and Backer Rod
- 45 Roofing Mastic
- 49 Flexible Vapor Retarder Serving as Insulation Retainer
- 52 AlphaGuard BIO Base Coat
- 61 AlphaGuard Glass Mat or Permafab
- 72 AlphaGuard BIO Top Coat
- 77 Membrane Sheet Closure Secured and Adhered to Wall
- 91 Wood Blocking
- 93 Counterflashing
- 95 Cant Strip

AlphaGuard® BIO Plus Parapet Wall, Non-Supported, Temp. Roof, Wood Deck  
 Detail 33064





**KEY NOTES**

- 05 Gypsum Deck
- 09 Roof Structure
- 18 Reglet
- 19 Wall Assembly
- 21 Polyisocyanurate Insulation (Adhered)
- 25 Compressible Insulation
- 28 Cover Board (Adhered)
- 31 Approved Base Ply Sheet
- 34 Base Sheet (Fastened)
- 37 Approved Base Sheet (Adhered)
- 43 Sealant and Backer Rod
- 45 Roofing Mastic
- 49 Flexible Vapor Retarder Serving as Insulation Retainer
- 52 AlphaGuard BIO Base Coat
- 61 AlphaGuard Glass Mat or Permafab
- 72 AlphaGuard BIO Top Coat
- 77 Membrane Sheet Closure Secured and Adhered to Wall
- 91 Wood Blocking
- 93 Counterflashing
- 95 Cant Strip

AlphaGuard® BIO Plus Parapet Wall, Non-Supported, Temp. Roof, Gypsum Deck  
 Detail 33065

